



Isokinetic Heated Probe

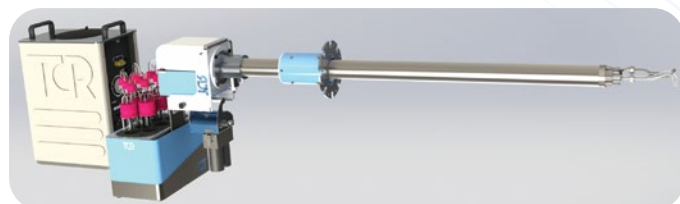
ROTATIVE PROBE

The moisture content in the sampled gases obliges to heat both the probe and the collection devices.

The material of the internal body of the probe ensures the necessary rigidity as well as a certain resistance to temperature and corrosion caused by aggressive gases.

The materials used for the collection must be compatible with gas composition, to ensure the integrity of the compounds to determine.

To meet these requirements, Tecora studied and developed a standard isokinetic probe to be assembled according to the applications.



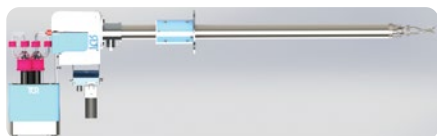
Rotative Probe:

The heated probe and the heated box can rotate independently at a 360° radius.

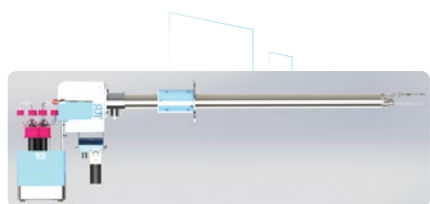
This system offers a safe collection even in vertical sampling.

Questa caratteristica permette:

- Easy ISO16911:2013 requirements following without impingers bath disconnection.
- Easy testing of all kind of stacks (vertical, horizontal...).



Vertical stack sampling position



Horizontal stack sampling position

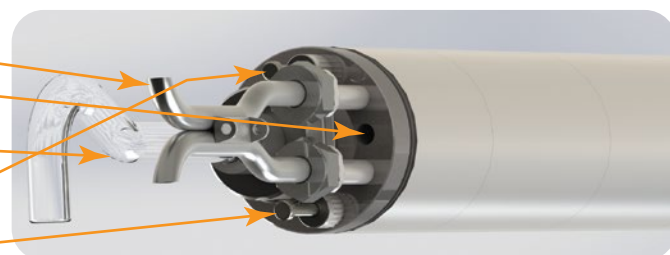
The probe contains all features to perform stack sampling :

Thermocouple for stack temperature

Tubo Pitot S

Suction Tube with gooseneck and nozzles set available in stainless steel, titanium, glass, quartz or other material on

Gas sampling line



Caratteristiche Principali

- 360° rotation into flange.
- 360° rotation of filter box around probe.
- Additional Gas sampling line integrated.
- Total insulation of heating element and thermocouple from stack gases.
- Built-in AISI 316 stainless steel.
- Interchangeable suction lines (stainless steel, glass, titanium and quartz).
- Compatible with all Tecora's instack and outstack accessories (filterholders, pitots, impactors, cooling baths, dioxin kits...).
- Compliant with international testing methods: EN13284-1, US EPA M5, ISO9096...
- Facilitate manipulations for ISO16911:2013 without disconnecting the impingers and the bath
- Easy testing of all types of stacks (vertical, horizontal...).

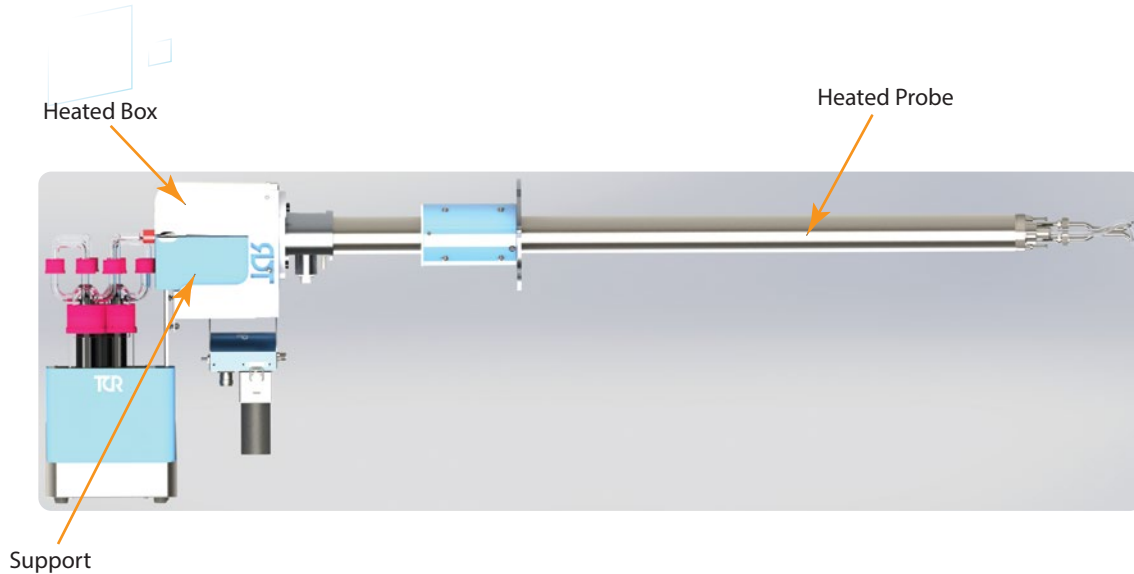




General Description:

The probe is composed of 3 main elements:

- The heated probe with the sampling lines and control systems.
- The heated box, which contains the filter.
- The support which allows probe-box rotation and as well as the addition of other devices (dioxin trap, impingers bath...).

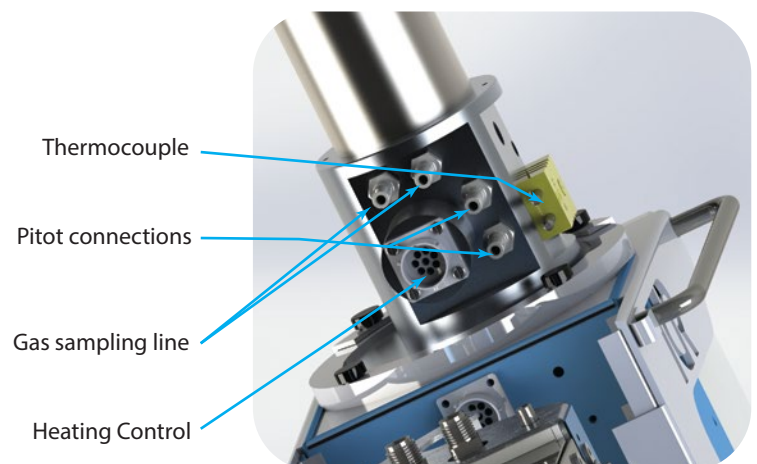


Heated Probe:

In order to avoid condensation in the sampling line, Built in AISI 316, Tecora's heated probe offers fast and easy connection for all regulation and annex sampling system:

- Thermocouple to ensure the temperature of the probe;
- Pitot connection for the reading of velocity in stack;
- Heating control system;
- Gas sampling line;

An arm for rotation is also present on the side of the heated probe to make all manipulation easier.





Heated Box:

In order to avoid condensation in the sampling line, Built in AISI 316, Tecora's heated probe offers fast and easy connection for all regulation and annex sampling system:

The maximum heating temperature for heated box is:

160°C (230Vac – 200W).

180°C (120Vac – 400W).

The sufficient isolation allows to maintain the outside temperature at not dangerous values for the user.

A Tecora unified connector is used for temperature control.

The box can receive multiple filterholders (47mm, 90mm, thimbles) for multiple application (multi-derived line...).



Support:

Traps support is an essential part of the isokinetic probe. It enables to:

- Ensure the 360° rotation of the box around probe axis;
- Fix the several traps (impingers bath, dioxin kit...) to the probe;
- Make the manipulation of the whole heated probe easier.



Flangia per scorrimento Sonda:

Optional:

Flangia per scorrimento sonda ed inserimento all'interno del camino con sistema a boccole di scorrimento, al fine di facilitare la movimentazione della sonda durante le verifiche di reticolo e procedure secondo EN16911;

