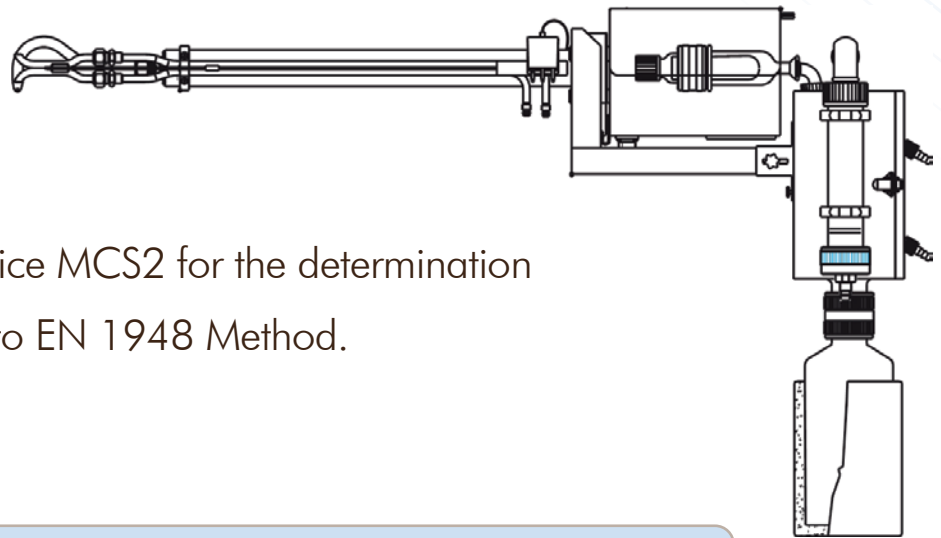




Isokinetic Heated Probe for PCDD/F

MCS2



Condensing and adsorbing device MCS2 for the determination of PCDD/PCDF in compliance to EN 1948 Method.

Filter condenser Method - Condensation with adsorbing trap on dry gas

The EN 1948-1 "Filter condenser" method foresees the isokinetic sampling with a heated probe, filterholder and adsorbing trap XAD2/PUF after the condenser.

This system is dedicated to the determination of the following compounds:

- ⊙ Polycyclic Aromatic Hydrocarbons (PAH)
- ⊙ Polychlorinated dibenzo dioxins (PCDD)
- ⊙ Polychlorinated dibenzo furans (PCDF)
- ⊙ Polychlorinated biphenils (PCB)

Allowed materials are Titan, Quartz and Glass.

The mod. MCS2 condenser (Micro-pollutants Condensation System rev.2), equipped with the cooling unit mod. ISOFROST, meets the requirements of the standard and grants a precise and automatic temperature control of the gas after the condenser needed for long term samplings.





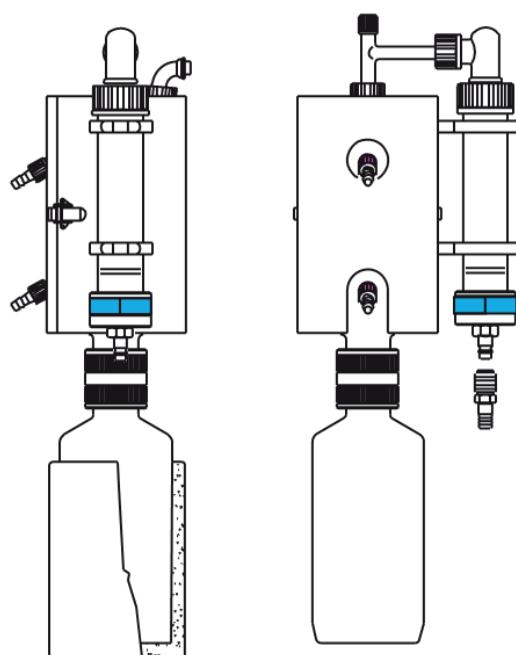
Condensing and Adsorbing trap device mod. **MCS2**

Cod. AC99-091-0010SP

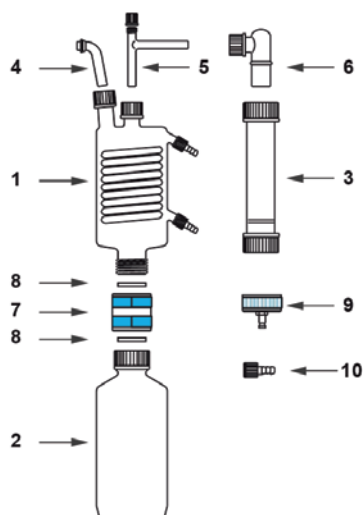
The MCS2 is the evolution of the former MCS condensation system. In this new version, particular attention has been dedicated to the treatment and transport of the sample.

The adsorbing trap XAD2/PUF and the condense collection flask can be quickly changed and sealed with caps for the transport.

The compact and rugged realization, the direct assembling to the heated probe, the absence of silicon connection tubes are the strenght points of the system and make it easy to be handled and used on the field.



Spare parts and Accessories



Description		P/N
1	Condenser	AC99-095-0020SN
2	1 liter condense collection flask with cap	AC99-095-0021SN
3	Trap for adsorbent with caps	AC99-095-0024SN
4	Gas inlet connector	999VE188
5	Dry gas outlet with temperature probe inlet	999VE186
6	Adsorbent trap gas inlet adapter	999VE187
7	Condense flask fixing nipple	999EB080
8	PTFE - MVQ gaskets	999UC044
9	Cap with quick connector	999HA136
10	Hosebarb connector for the cooling liquid	999RB343

Carrying case for MCS2 and Accessories

AC99-095-9905SP

2

